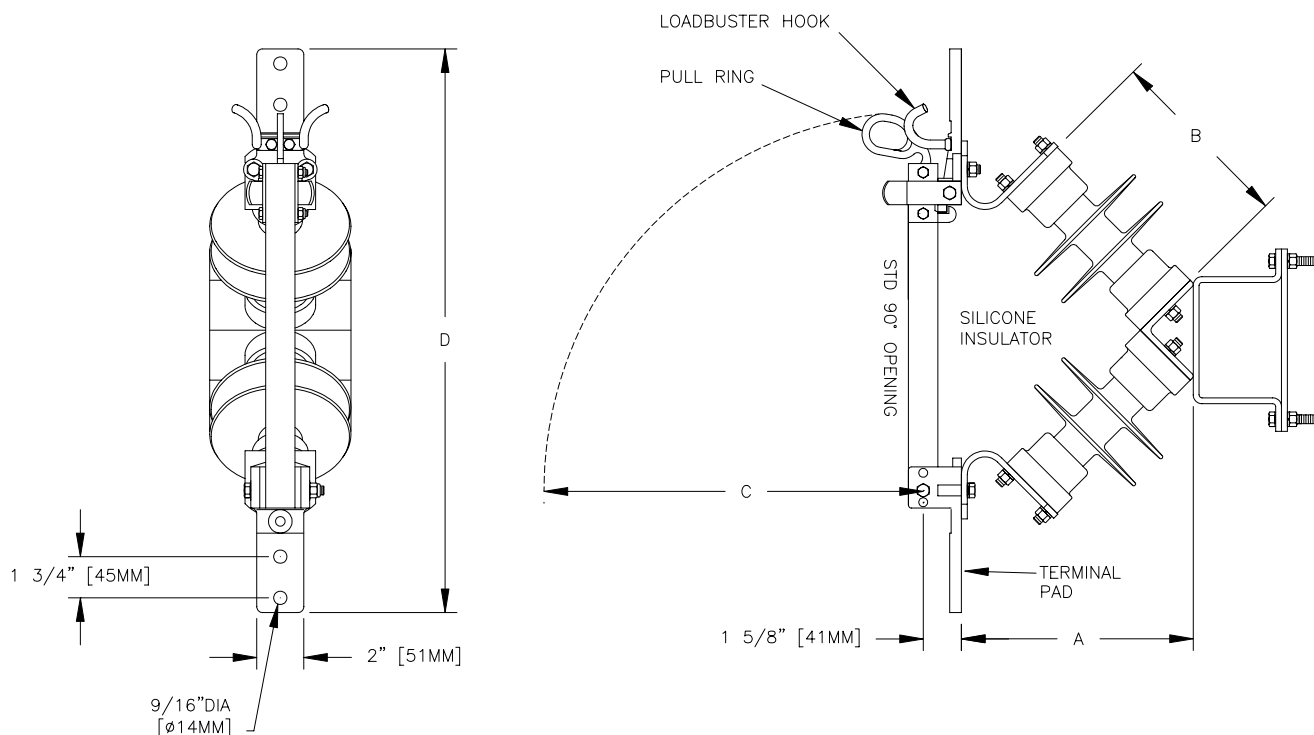


ULTRA-LIGHT V-STYLE SWITCH



V-STYLE SWITCH SPECIFICATIONS

CATALOG NUMBER	RATED VOLTAGE	CURRENT		NOMINAL BIL	FLASHOVER 60 HZ		LEAKAGE DISTANCE		DRY ARC DISTANCE	
		RATED	MOM		DRY	WET	IN.	MM.	IN.	MM.
SV15900S	15kV	900 A	40,000 A	110kV	130kV	40kV	10.8	275	5.7	145
SV25900S	25kV	900 A	40,000 A	125kV	160kV	65kV	17.2	437	7.6	193
SV28900S	28kV	900 A	40,000 A	150kV	160kV	65kV	17.2	437	7.6	193
SV35900S	35kV	900 A	40,000 A	175kV	195kV	85kV	26.0	660	10.6	270

DIMENSIONS AND WEIGHTS

CATALOG NUMBER	A		B		C		D		WEIGHT	
	IN.	MM.	IN.	MM.	IN.	MM.	IN.	MM.	LB	KG
SV15900S	9 3/4	248	8	203	16	406	26	660	19	8.6
SV25900S	11 1/4	286	10	254	19	483	28 7/8	733	22	10
SV28900S	12 1/4	311	11 1/2	292	21	533	31	787	24	11
SV35900S	14 1/4	362	14	356	23	584	33	832	26	11.8

OPTIONS:

- FOR TWO SETS OF SWITCH TERMINAL CONNECTORS, (CATALOG NUMBER 9920), ADD SUFFIX "C" TO THE CATALOG NUMBER. i.e. SV15900SC.
- FOR A HIGHLY CORROSIVE ATMOSPHERE, CURRENT CARRYING COMPONENTS CAN BE NICKEL PLATED. ADD THE SUFFIX "NP" TO THE CATALOG NUMBER. i.e. SV15900SNP.
- FOR PORCELAIN INSULATORS, REPLACE THE CHARACTER "S" IN THE CATALOG NUMBER WITH "P". i.e. SV15900P.