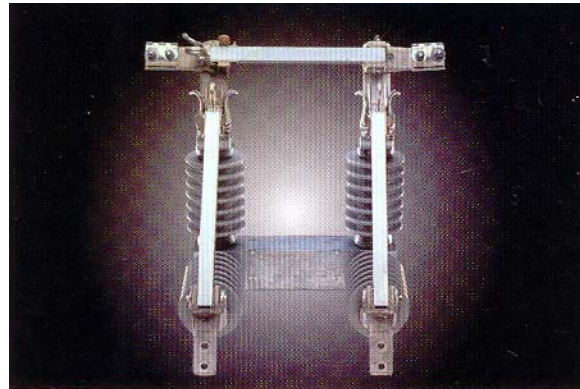


ULTRA-LIGHT BY-PASS SWITCH



OIL CIRCUIT BREAKER / RECLOSER BY-PASS SWITCH

APPLICATION

The Firon recloser by-pass switch is a safe and economical alternative to maintaining service continuity, when isolating a Recloser for repair or routine maintenance.

CONSTRUCTION

The Firon recloser by-pass switch is hookstick operated and manually sequenced with triple blade construction.

Silicone insulators mounted in a V-style configuration on a single base inherently, provide greater open gap clearance than that of a standard hookstick operated switch; therefore, dielectric values are limited only to the electrical values of the insulator.

The current carrying components are the same as those utilized in the In-line (TW) and Surface Mount (SM) style switches.

With a tested momentary of 40kA RMS (asymmetrical) and a current rating of 900 amps continuous, the switch is available from 15 thru 28 kV.

For three-phase cluster mounting, left and right hand opening blades operate away from the center phase, which is bolted to a pole mounted, standoff bracket.

Terminal pads are standard Nema drilled with 9/16" diameter on 1-3/4" centers.

Loadbuster™ hooks are fitted on the jaw of each blade assembly.

The operating sequence is to close the horizontal or by-pass blade first, then disengage the recloser feeder blades. The reverse sequence must be performed to reconnect the recloser and open the by-pass blade. The by-pass blade opens to 180 degrees. The other blades open to 90 degrees.

OIL CIRCUIT BREAKER / RECLOSER FUSED BY-PASS SWITCH

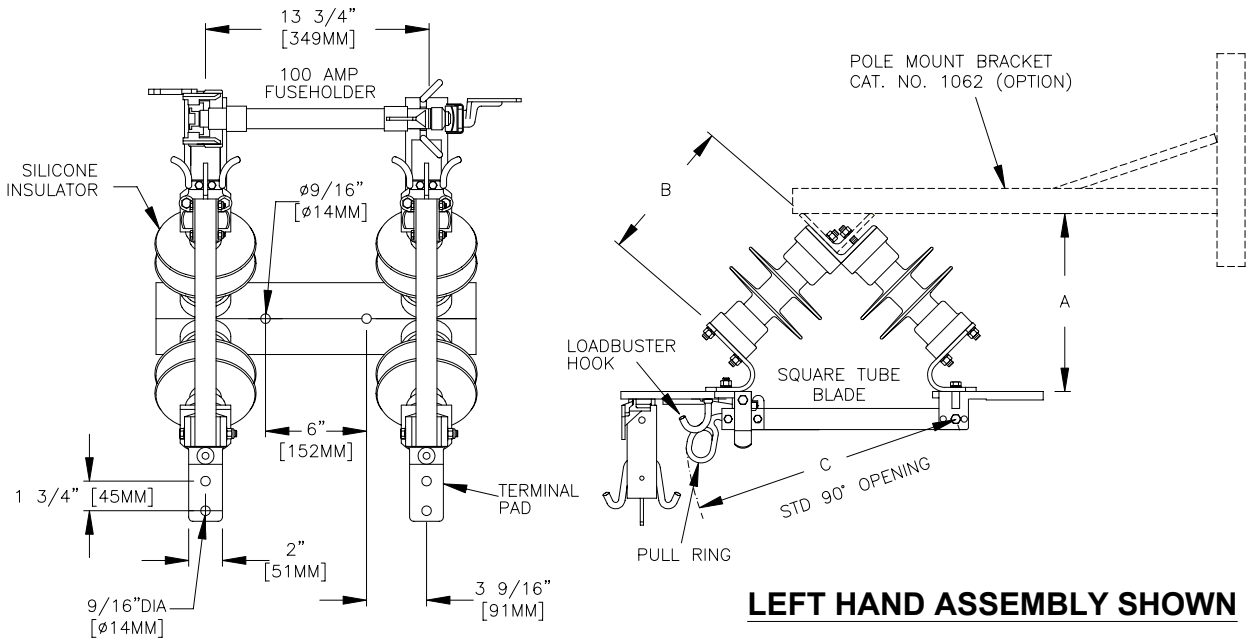
APPLICATION

For use when there is a maximum requirement for safety and continuity of service. The fused breaker by-pass disconnect combination provides safe breaker isolation, while maintaining continuity on a protected circuit. The fused portion of the combination is available at 100 and 200 amps; the switch portion is rated at 900 amps.

CONSTRUCTION

The fused by-pass switch is similar in construction to the standard by-pass switch, except the by-pass portion is fused with a universal expulsion fuse holder, such as that used in a regular drop out style cutout. Interchangeable, current limiting, full range fuse holders up to 27kV are also available.

ULTRA-LIGHT FUSED BY-PASS SWITCH



FUSED BY-PASS SWITCH SPECIFICATIONS

CATALOG NUMBER	RATED VOLTAGE	CURRENT		NOMINAL BIL	FLASHOVER 60 HZ		LEAKAGE DISTANCE		DRY ARC DISTANCE	
		RATED	MOM		DRY	WET	IN.	MM.	IN.	MM.
FBP15900S-L	15kV	900 A	40,000 A	110kV	130kV	40kV	10.8	275	5.7	145
FBP25900S-L	25kV	900 A	40,000 A	125kV	160kV	65kV	16.7	437	7.6	193
FBP28900S-L	28kV	900 A	40,000 A	150kV	160kV	65kV	16.7	437	7.6	193

DIMENSIONS AND WEIGHTS

CATALOG NUMBER	A		B		C		WEIGHT	
	IN.	MM.	IN.	MM.	IN.	MM.	LB	KG
FBP15900S-L	10	254	8	203	16 1/16	408	48	22
FBP25900S-L	11 1/2	292	10	254	18 15/16	481	53	24
FBP28900S-L	12 1/2	318	11 1/2	292	21	533	55	25

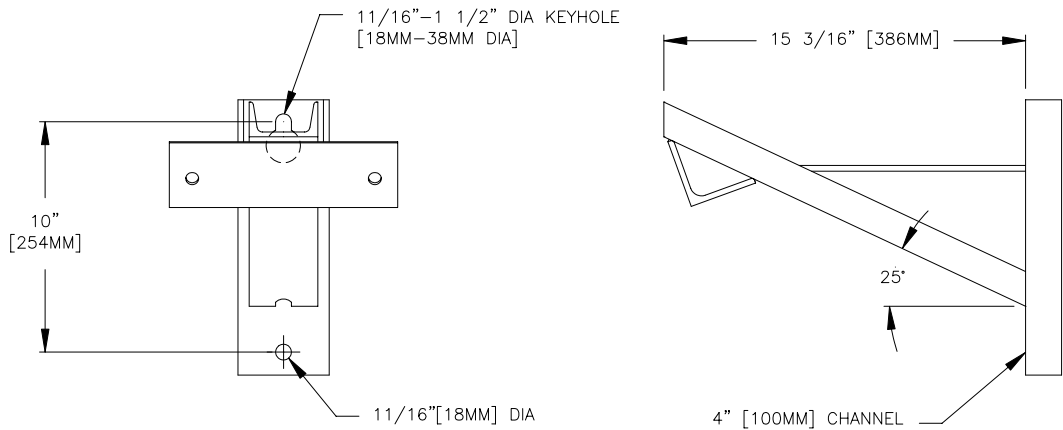
OPTIONS:

- FOR TWO SETS OF SWITCH TERMINAL CONNECTORS, (CATALOG NUMBER 9920), ADD SUFFIX "C" TO THE CATALOG NUMBER. i.e. FBP15900SC-L
- FOR A POLE MOUNT BRACKET, ADD THE SUFFIX "P" TO THE CATALOG NUMBER. i.e. FBP15900S-LP
- FOR A HIGHLY CORROSIVE ATMOSPHERE, CURRENT CARRYING COMPONENTS CAN BE NICKEL PLATED. ADD THE SUFFIX "NP" TO THE CATALOG NUMBER. i.e. FBP15900SNP-L.
- FOR PORCELAIN INSULATORS, REPLACE THE CHARACTER "S" IN THE CATALOG NUMBER WITH "P". i.e. FBP15900P-L.

BP & FBP SWITCH BRACKET

BY-PASS SWITCH BRACKET

MATERIAL: HOT DIP GALVANIZED STEEL
 CATALOG NO.: 1063
 WEIGHT: 16 LBS [7.3 KG] EA



FUSED BY-PASS SWITCH BRACKET

MATERIAL: HOT DIP GALVANIZED STEEL
 CATALOG NO.: 1062
 WEIGHT: 21 LBS [9.5 KG] EA

