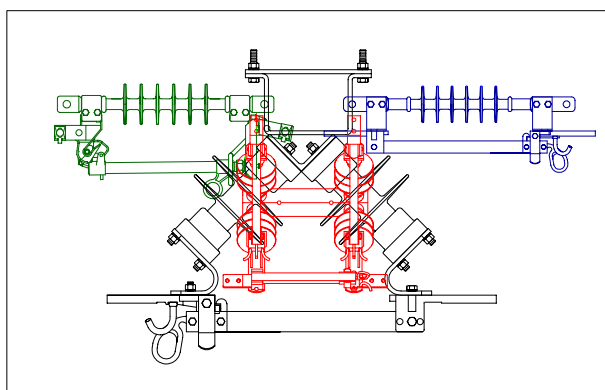


FIRO
INDUSTRIES LTD

HIGH VOLTAGE PRODUCTS SWITCHES , HARDWARE, FIBERGLASS



BEL VOLT

History

Established in 1982, Firon Industries has developed into Canada's premiere and preferred manufacturer of non-automated, airbreak switches in the high voltage, electrical utility industry. Having developed the lightest, most durable and most advanced switches in the industry, Firon is recognized for its innovation and for its dedication to the advancement of new, superior quality products; and based on our proven track record, these products are certain to enhance the safety and simplicity of any high voltage operation.

Firon also manufactures a complete line of switch accessories and other hardware items, such as cutout and arrester brackets, pole top extensions, dead-end clamps and stirrups.

Corporate Office

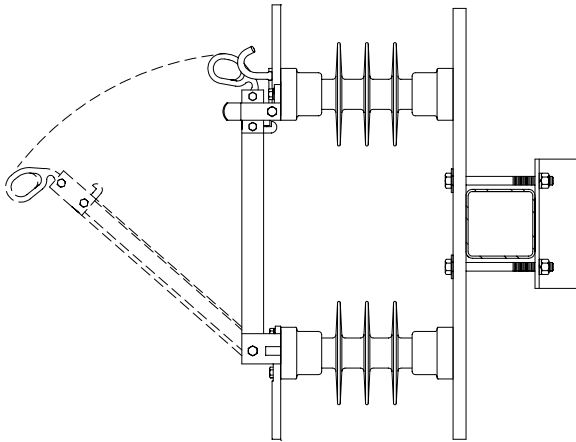
1350 Birchmount Road
Scarborough, Ontario
M1P 2E4
Tel: 416-757-2277
Fax: 416-757-9595

www.firon.ca

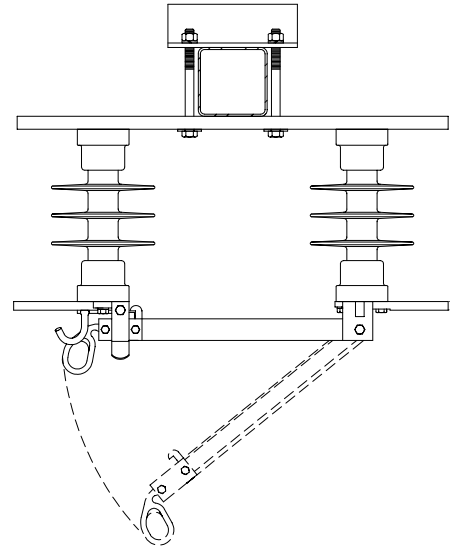
www.belvolt.com

ULTRA-LIGHT SURFACE MOUNT SWITCH

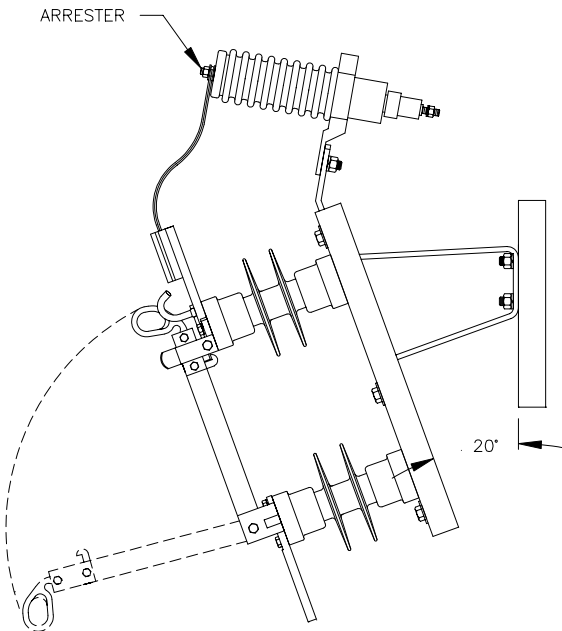
MOUNTING POSITIONS



VERTICAL



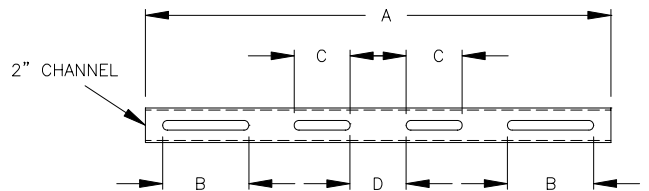
UNDERHUNG



20° VERTICAL INCLINE

SWITCH BACK STRAP

HOT DIP GALVANIZED STEEL
C/W 1/2" CARRIAGE BOLTS

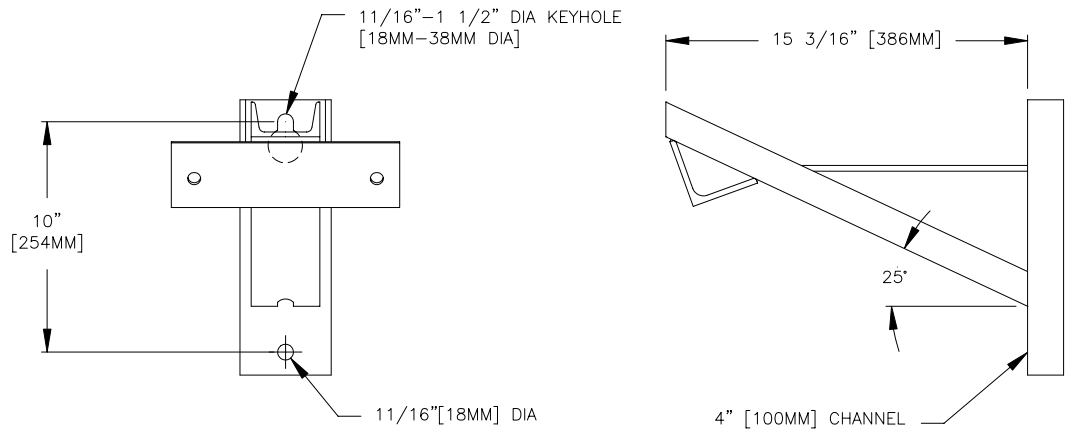


CATALOG NUMBER	A	B	C	D	WEIGHT PER 100
ZF9945S	9" [229MM]	2 1/4" [57MM]	N/A	3 1/4" [83MM]	275LB [125KG]
ZF9945D	22" [559MM]	2" [51MM]	2" [51MM]	3 1/4" [83MM]	525LB [240KG]
ZF9945DL	27" [686MM]	5" [127MM]	3 1/4" [83MM]	3 1/4" [83MM]	600LB [275KG]

BP & FBP SWITCH BRACKET

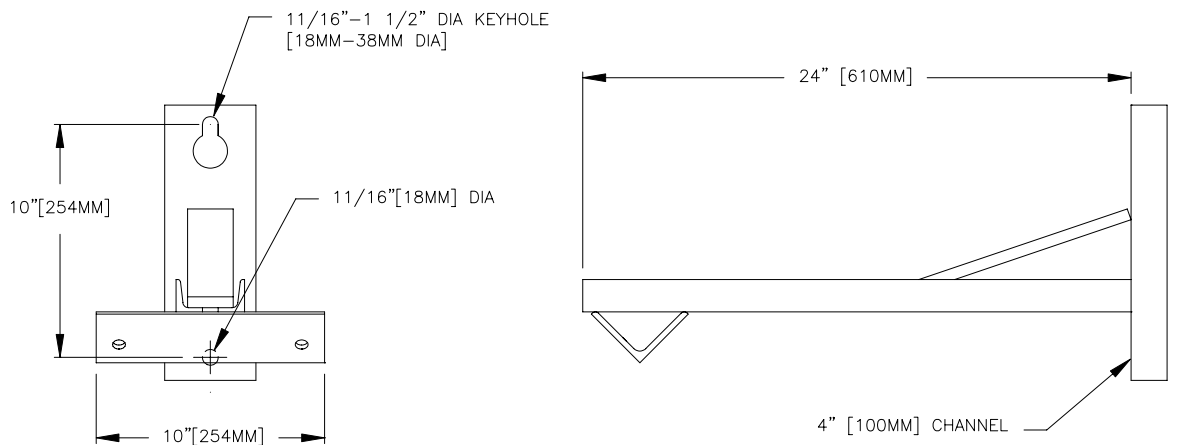
BY-PASS SWITCH BRACKET

MATERIAL: HOT DIP GALVANIZED STEEL
 CATALOG NO.: 1063
 WEIGHT: 16 LBS [7.3 KG] EA

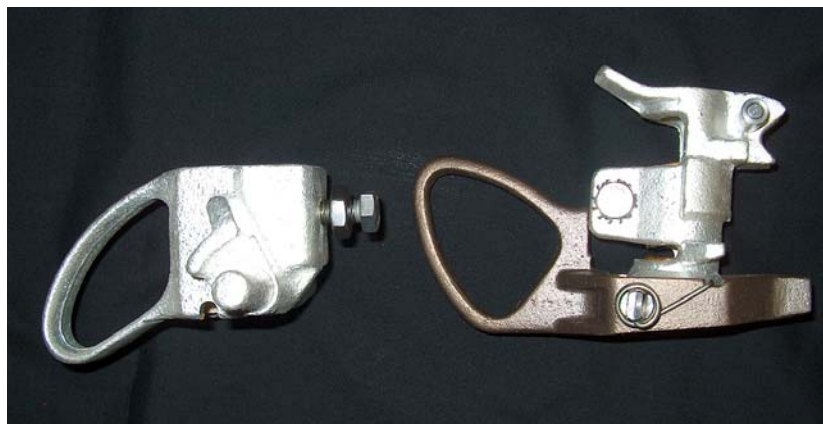


FUSED BY-PASS SWITCH BRACKET

MATERIAL: HOT DIP GALVANIZED STEEL
 CATALOG NO.: 1062
 WEIGHT: 21 LBS [9.5 KG] EA



POWER FUSE MOUNTING ASSESSORY



APPLICATION

The Power Fuse End Fittings are used in the Firon IF20-25, IF20-28 & IF20-35 Power Fuse Mountings.

The End Fittings are compatible with the following fuse units (200 Amp Max):

- 1) Eaton DBU.
- 2) S&C SMU.
- 3) Cooper CMU.

ORDERING INFORMATION

Add the suffix "E" when ordering with the switch.
i.e. IF20-25E, IF20-28E.

Use Catalog No. F3096, when ordering separately,

Packaging dimensions: 7-3/8"x 4"x 4-1/4"

Weight: 4 lbs.

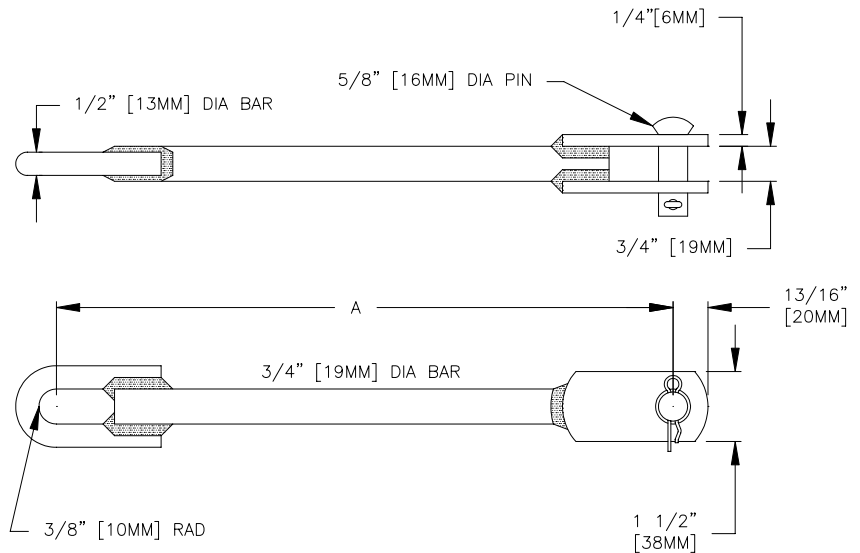
SWITCH ACCESSORY

ANTI-ROTATION BAR

FOR ADDED LINE STABILITY, WHEN THE INSTALLATION IS CLOSE TO A POLE, AN ANTI-ROTATION BAR CAN ENABLE THE LINEMAN TO ADJUST THE SWITCH TO ANY ANGLE AWAY FROM THE POLE, RELATIVE TO THE ADJACENT LINES. THE LINEMAN CAN OPERATE THE SWITCH FROM ANY ANGLE OTHER THAN FROM DIRECTLY UNDER THE LINES. THE ANTI-ROTATION BAR FITS SNUGLY INTO ANY LINE POST SADDLE.

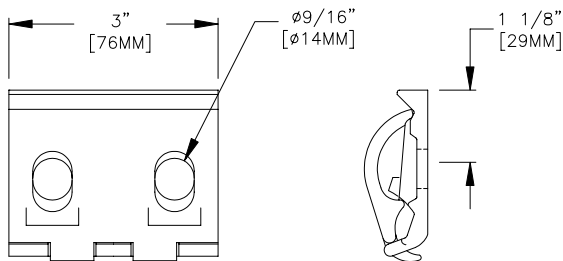
MATERIAL: STEEL TO CSA G40-21M, GR 300W OR EQUIVALENT
FINISH: HOT DIP GALVANIZE.

CATALOG NO.	A	WEIGHT
9930	18" 457MM	3 LBS 1.4KG
9931	24" 610MM	4 LBS 1.8KG
9932	30" 762MM	4.7 LBS 2.1KG
9933	36" 914MM	5.5 LBS 2.5KG



SWITCH TERMINAL WIRE CONNECTOR

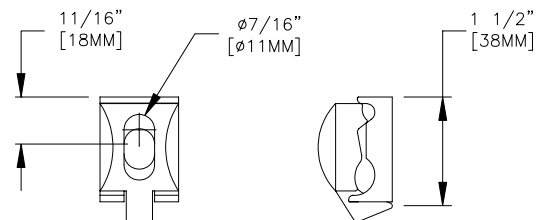
MATERIAL: BASE - TIN PLATED ALUMINUM
TOP - TIN PLATED BRONZE



SINGLE GROOVE - #2 (.257" [6.5MM] DIA)
TO 500MCM (.812" [20.6MM] DIA)

CATALOG NO.: 9920
WEIGHT: 3/4 LBS [.34KG] EA

MATERIAL: BASE - TIN PLATED ALUMINUM



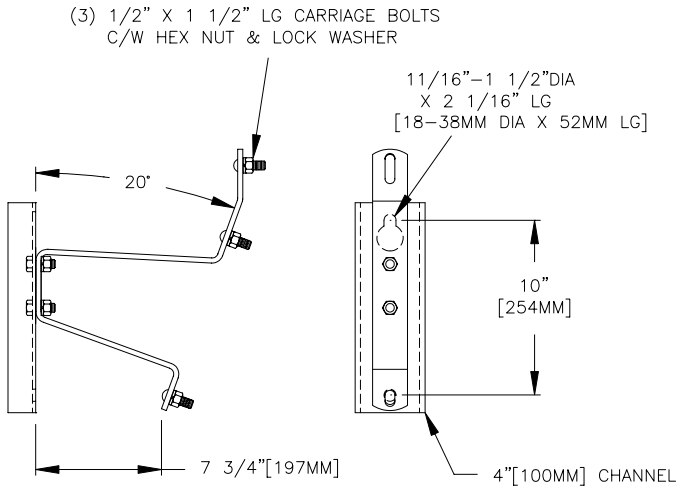
DOUBLE GROOVE - #6 SOLID (.162" [4.1MM] DIA)
TO 250MCM (.575" [14.6MM] DIA)

CATALOG NO.: 1722
WEIGHT: 1/2 LBS [.23KG] EA

SM SWITCH & ARRESTER BRACKET

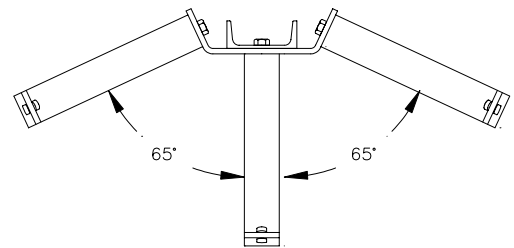
FIRON BRACKETS ARE DESIGNED FOR SUPPORTING THE FIRON SURFACE MOUNT DISCONNECT SWITCH. SINGLE AND THREE PHASE BRACKETS ARE CONSTRUCTED FROM HOT DIP GALVANIZED STEEL.

SINGLE PHASE



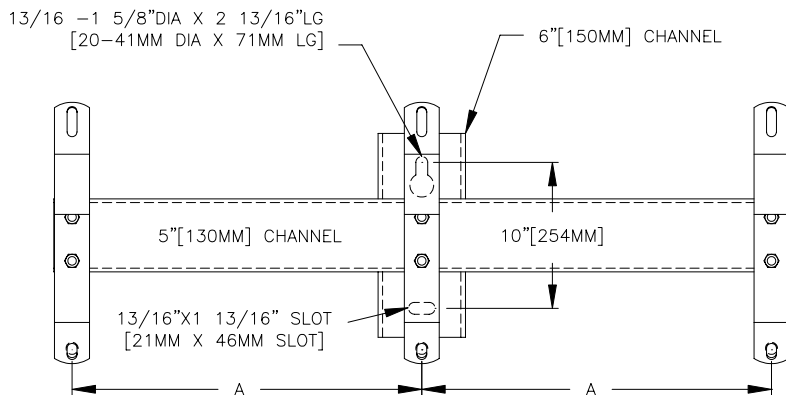
SWITCH	CATALOG NO.	WEIGHT
15KV & 28KV	BF3380	11.5LB [5.2KG]

THREE PHASE - 65° APART

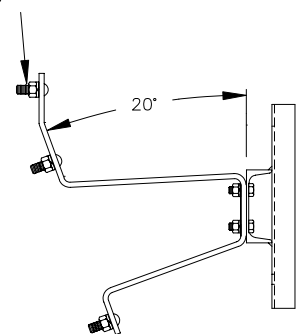


SWITCH	CATALOG NO.	WEIGHT
15KV & 28KV	BF3381	28LB [12.7KG]

THREE PHASE - PARALLEL



(9) 1/2" x 1 1/2" LG CARRIAGE BOLT
C/W LOCK WASHER & HEX NUT



SWITCH	CATALOG NO.	"A"	WEIGHT
15KV	BF3362-15	24" [610MM]	55LB [25KG]
28KV	BF3362-28	30" [762MM]	62LB [28KG]
35KV	BF3362-35	36" [914MM]	69LB [31KG]